

Q-Dos Metering System

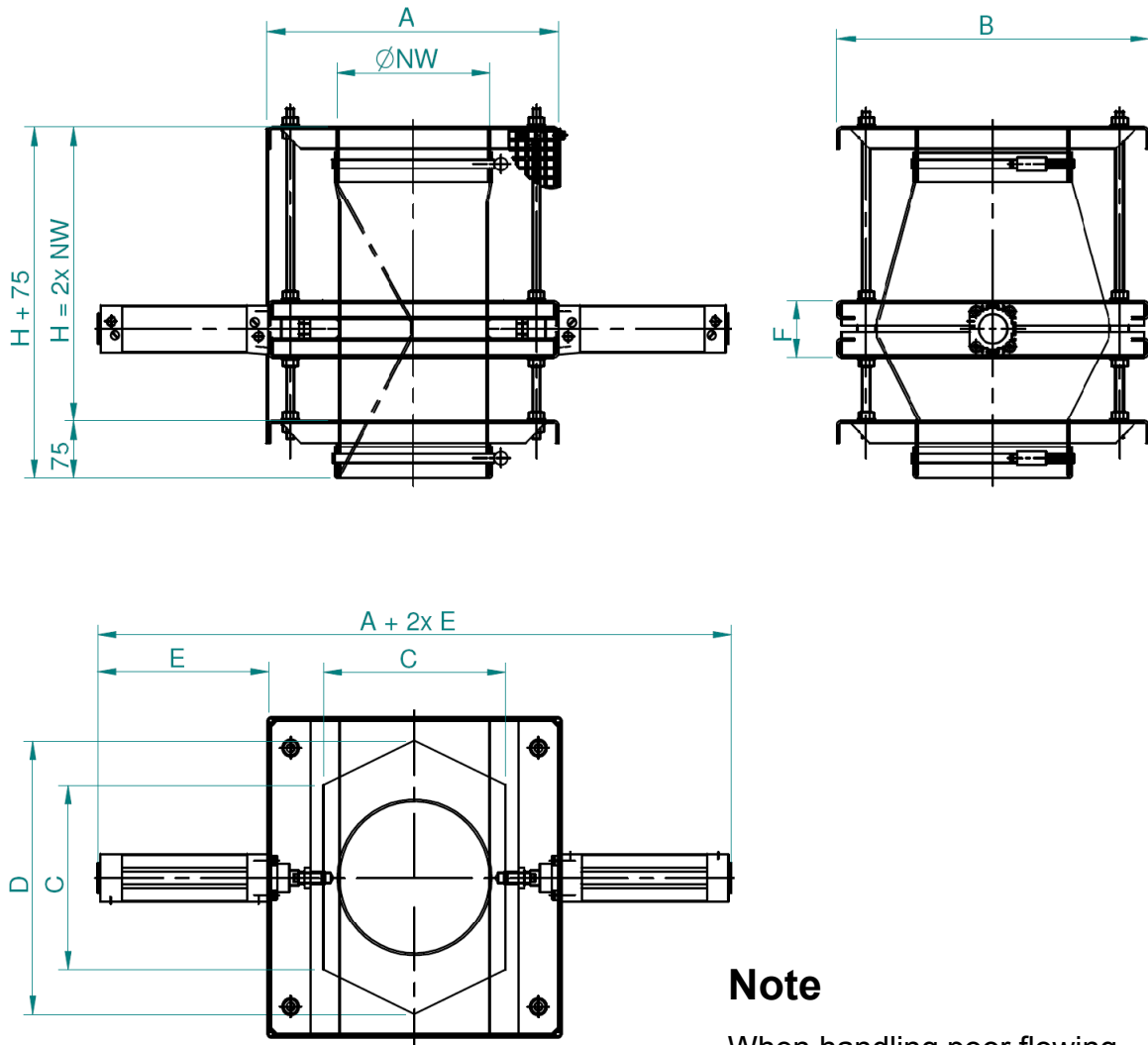
- Metering System without any mechanical parts in the product flow
- By squeezing the hose, which contains the product, the product flow is decreased and the system closed.
- 3 operating conditions: wide product flow, small product flow, closed
- Highly efficient because the whole diameter can be filled with the product.

Functional description

- Into the metering system the desired value is entered.
- Vibrators mounted on the filling funnel ensure a smooth product flow.
- Before the filling process is completed totally two pneumatically controlled bars are pressed against the hose. Therefore the product flow decreases until it is stopped completely.
- This allows a very precise metering and a difference from the desired value of only a few grams (differs according to system size and the product measured).



There is no contact between mechanically driven parts and product.



Note

When handling poor flowing products a steady product flow has to be ensured e.g. by using a Flexkon-discharger.

NW	A	B	H	C	D	E	F
100	280	280	200	150	210	189	71
150	330	350	300	200	290	189	71
200	400	430	400	250	370	235	81
250	450	510	500	300	450	235	81
300	510	590	600	350	530	285	91
350	560	670	700	400	610	325	91
400	610	750	800	450	690	325	91

There is no contact between mechanically driven parts and product.